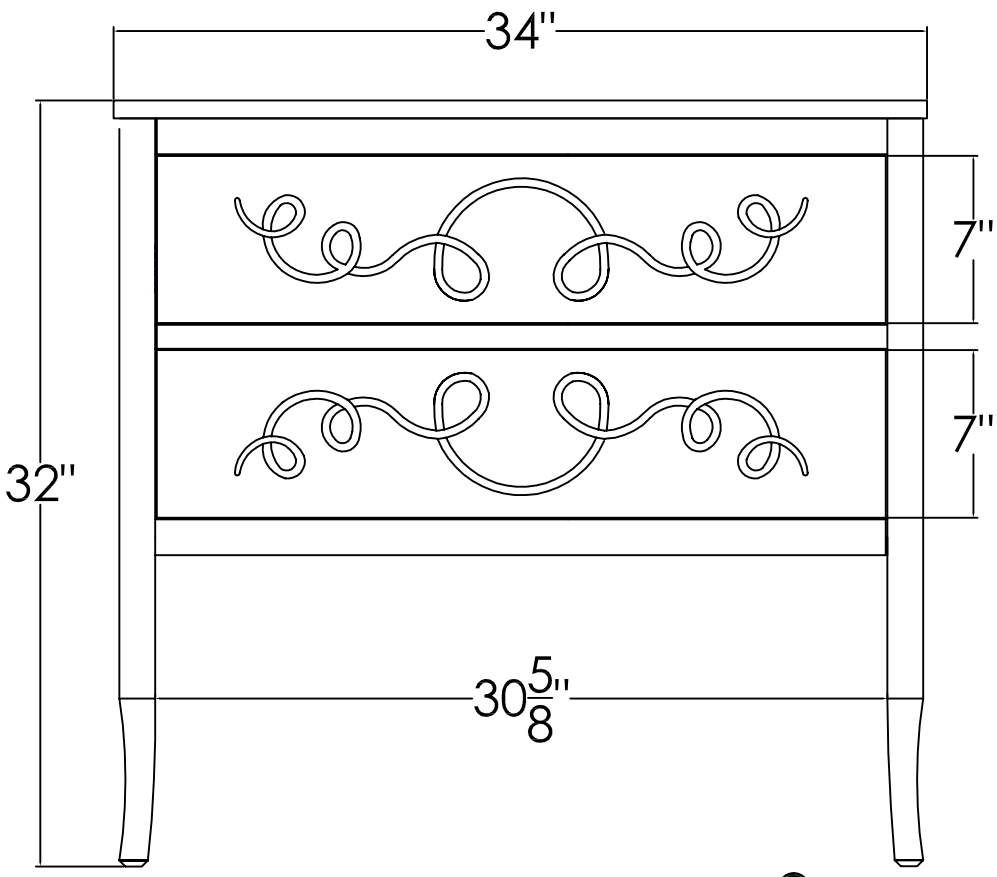
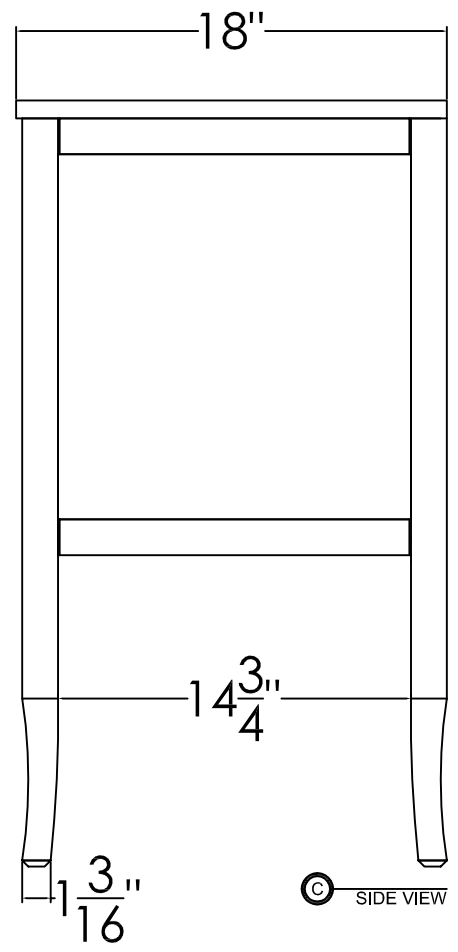


Ⓐ TOP VIEW



Ⓑ FRONT VIEW



Ⓒ SIDE VIEW